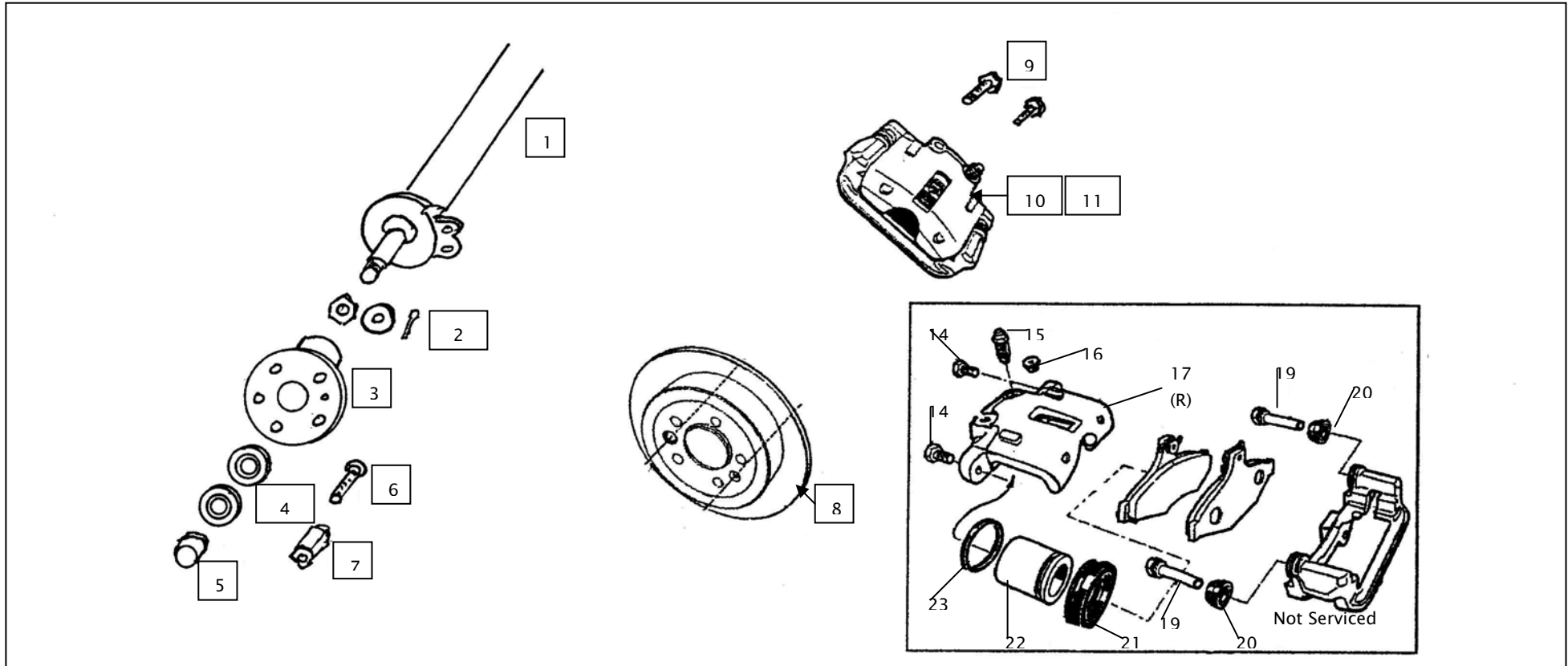


TRANSIT HORDERN 6x2 SECTION AXLE, HUB & BRAKES



ILL. NO.	DESCRIPTION	PART NO.	QTY.	ILL. NO.	DESCRIPTION	PART NO.	QTY.
1	AXLE ASSY	TAA001	1	14	SCREW (*)	ER2A915A	4
2	NUT, WASHER, SPLIT PIN	TAH001	2	15	BLEEDER SCREW (*)	ER2A125A	2
3	HUB	TAH002	2	16	CAP-BLEEDER SCREW (*)	ER2H208A	2
4	BEARING KIT & SEAL	2746KIT	2	17	CALIPER BODY R.H.	NOT SERVICED	1
5	AXLE CAP	TAH003	2	18	CALIPER BODY L.H.	NOT SERVICED	1
6	WHEEL STUD (*)	EF1107B	10	19	PIN GUIDE (*)	ER2B099A	4
7	WHEEL NUT (*)	XF1012A	10	20	BOOT-CALIPER GUIDE PIN (*)	ER2B069A	4
8	DISC ROTOR (*)	ER2C026A	2	21	BOOT CALIPER	NOT SERVICED	2
9	BOLTS (*)	V800462 S100	4	22	PISTON CALIPER	DB2747	2
10	CALIPER ASSY L.H.	B811-119-F	1	23	SEAL-CALIPER PISTON	NOT SERVICED	2
11	CALIPER ASSY R.H.	B811-120-F	1				
12	CALIPER REPAIR KIT	K1053 S	2		AU1 ONLY		
13	BRAKE PAD KIT	DB0185	1		MASTER CYLINDER (*)	TAU2140A	1

* = FORD PARTS